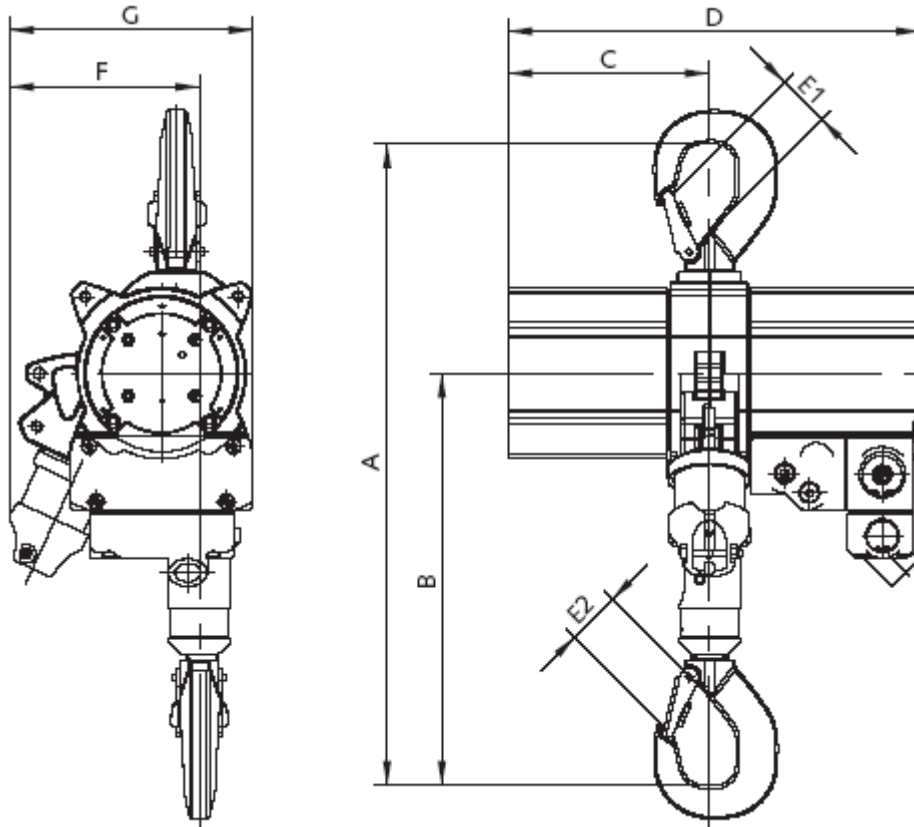


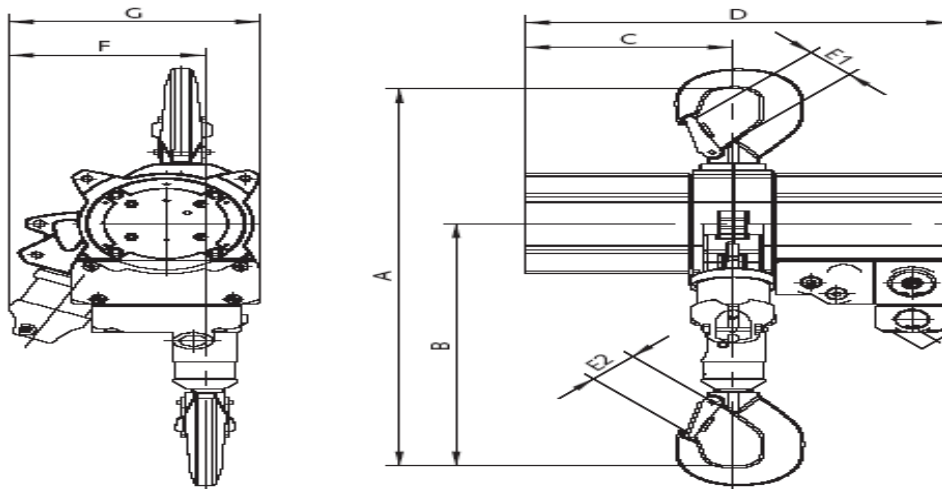
## Technical Data JDN Air Hoists PROFI 025 TI - 2 TI



Type		025 TI		05 TI		1 TI		2 TI	
Air pressure	bar	4	6	4	6	4	6	4	6
Carrying capacity	t	0,16	0,25	0,32	0,5	0,63	1	1,25	2
Number of chain strands		1		1		1		2	
Engine output	kW	0,6	1,0	0,6	1,0	0,6	1,0	0,6	1,0
Lifting speed at full load	m/min	20	20	10	11	5	5,5	2,5	2,7
Lifting speed without load	m/min	37,5	42	16	19	10	11	5	5,5
Lowering speed at full load	m/min	38	38	17	17	10	11	5	5,5
Air consumption at full load - Lifting	m <sup>3</sup> /min	0,7	1,2	0,7	1,2	0,7	1,2	0,7	1,2
Air consumption at full load - Lowering	m <sup>3</sup> /min	0,8	1,5	0,8	1,5	0,8	1,5	0,8	1,5
Air connection		G ½		G ½		G ½		G ½	
Hose dimension (Ø inside)	mm	13		13		13		13	
Weight at standard lift, rope control	kg	27	27	27	27	27,5	28 <sup>2</sup>	34 <sup>2</sup>	34 <sup>2</sup>
Chain dimension	mm	7 x 21		7 x 21		7 x 21		7 x 21	
Weight of 1 m chain	kg	1,0		1,0		1,0		1,0	
Standard lift	m	3		3		3		3	
Length of control at standard lift	m	2		2		2		2	
Sound level at full load <sup>1</sup> with standard silencer - lifting	dB(A)	73	74	74	75	74	76	74	76
Sound level at full load <sup>1</sup>	dB(A)	77	78	77	78	77	78	77	78

with standard silencer - lowering				
Dimension in mm	025 TI	05 TI	1 TI	2 TI
A smallest headroom *	450	450	450	498
B	288	288	288	336
C	145	145	145	145
D	297	297	297	297
E1	28	28	28	28
E2	28	28	28	28
F up to hook center	137	137	137	137
G biggest width	176	176	176	183

### Dimensions with chain containers



	max. lift	chain container	trolley			Y	Z
			without	LN	LH / LM		
	[m]	type	X				
PROFI 025 TI PROFI 05 TI PROFI 1 TI	3	K I	475	555	590	165	165
	6	K II	515	595	630	180	190
	12	K III	625	705	740	190	210
PROFI 2 TI	3	K II	515	615	630	160	190
	6	K III	625	725	740	170	210
	10	06	630	730	745	305	352
	15	07	705	805	820	330	391

\* Chain containers increase the headroom.

<sup>1</sup> measured in 1 m distance acc. to DIN 45635 part 20

<sup>2</sup> with overload protection