

## Engine

Engine Model		
216B Series 3	Cat C2.2	
226B Series 3	Cat C2.2 T	
236B/242B/252B Series 3	Cat C3.4 DIT	
Net Power (SAE 1340/ISO 9249)		
216B Series 3	35 kW	47 hp
226B Series 3	42 kW	56 hp
236B/242B/252B Series 3	53 kW	71 hp
Gross Power (SAE J1995)		
216B Series 3	38 kW	51 hp
226B Series 3	45.5 kW	61 hp
236B/242B/252B Series 3	55 kW	74 hp
Displacement		
216B/226B Series 3	2.2 L	134 in <sup>3</sup>
236B/242B/252B Series 3	3.3 L	201 in <sup>3</sup>
Stroke		
216B/226B Series 3	100 mm	3.9 in
236B/242B/252B Series 3	120 mm	4.7 in
Bore		
216B/226B Series 3	84 mm	3.3 in
236B/242B/252B Series 3	94 mm	3.7 in

## Weights\*

Operating Weight		
216B Series 3	2581 kg	5,690 lb
226B Series 3	2641 kg	5,822 lb
236B Series 3	3178 kg	7,007 lb
242B Series 3	3179 kg	7,008 lb
252B Series 3	3565 kg	7,861 lb

## Operating Specifications\*

Rated Operating Capacity		
216B Series 3	635 kg	1,400 lb
226B Series 3	680 kg	1,500 lb
236B Series 3	884 kg	1,950 lb
242B Series 3	975 kg	2,150 lb
252B Series 3	1202 kg	2,650 lb
Rated Operating Capacity with Optional Counterweight		
216B Series 3	680 kg	1,500 lb
226B Series 3	726 kg	1,600 lb
236B Series 3	929 kg	2,050 lb
242B Series 3	1000 kg	2,200 lb
252B Series 3	1225 kg	2,700 lb
Tipping Load		
216B Series 3	1270 kg	2,800 lb
226B Series 3	1360 kg	3,000 lb
236B Series 3	1769 kg	3,900 lb
242B Series 3	1950 kg	4,300 lb
252B Series 3	2404 kg	5,300 lb
Breakout Force, Tilt Cylinder		
216B/226B Series 3	1852 kg	4,083 lb
236B Series 3	2487 kg	5,484 lb
242B Series 3	2044 kg	4,507 lb
252B Series 3	2498 kg	5,508 lb

\* Operating Weight, Operating Specifications and Dimensions all based on 75 kg (165 lb) operator, all fluids, 1 speed, OROPS, dirt bucket, tires, no optional counterweights and manual quick coupler (unless otherwise noted).

## Hydraulic System

Hydraulic Flow		Standard	
Loader Hydraulic Pressure	23 000 kPa	3,335 psi	
Loader Hydraulic Flow – 216B/226B Series 3	61 L/min	16 gal/min	
Loader Hydraulic Flow – 236B/242B/252B Series 3	83 L/min	22 gal/min	
Hydraulic Power (calculated) – 216B/226B Series 3	23.2 kW	31.1 hp	
Hydraulic Power (calculated) – 236B/242B/252B Series 3	31.9 kW	42.8 hp	
Hydraulic Flow		High Flow – 226B Series 3	
Loader Hydraulic Pressure	23 000 kPa	3,335 psi	
Loader Hydraulic Flow	104 L/min	27 gal/min	
Hydraulic Power (calculated)	37.7 kW	50.6 hp	
Hydraulic Flow		High Flow – 242B Series 3	
Loader Hydraulic Pressure	23 000 kPa	3,335 psi	
Loader Hydraulic Flow	117 L/min	31 gal/min	
Hydraulic Power (calculated)	45 kW	60.3 hp	

Model availability may vary by region.

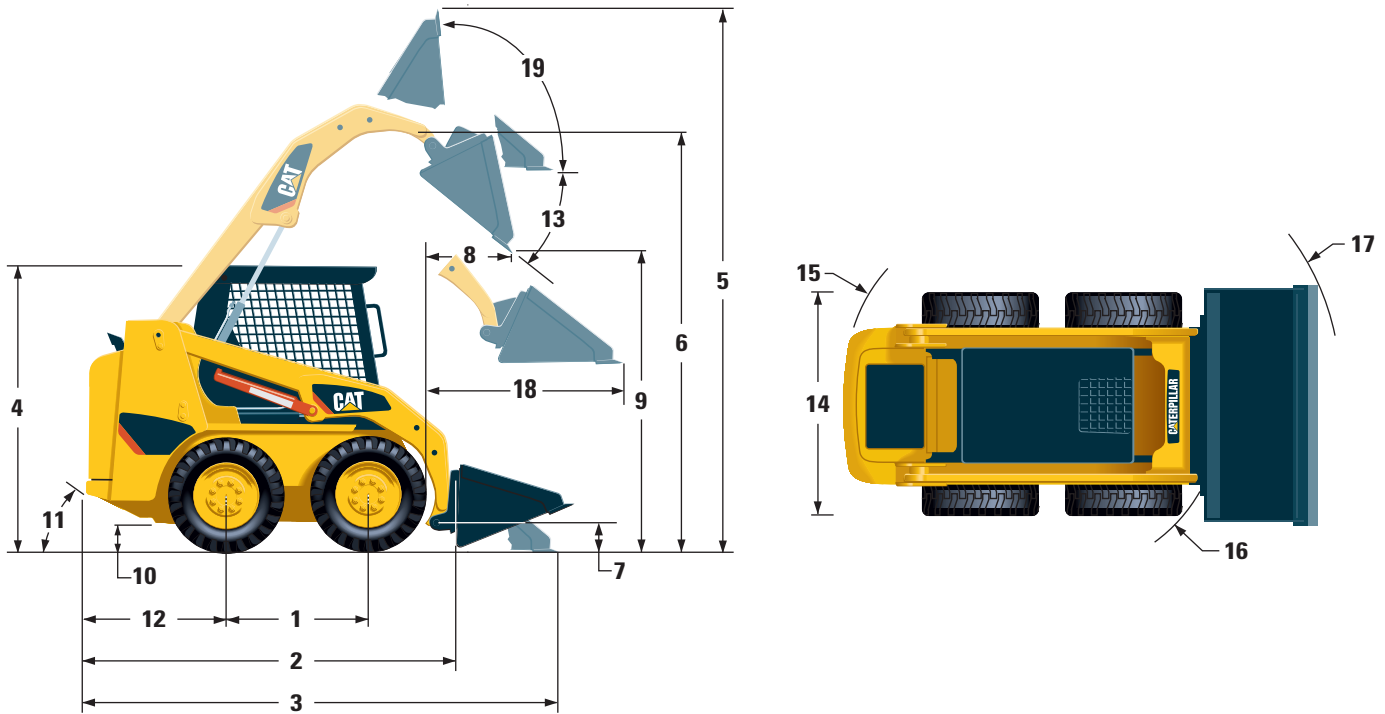
<b>Cab</b>	
ROPS	SAE J1040 MAY94, ISO 3471:1994
FOPS	SAE J/ISO 3449 APR98 Level I, ISO 3449:1992 Level I
FOPS Level II	SAE J/ISO 3449 APR98 Level II, ISO 3449:1992 Level II (optional)

<b>Power Train</b>		
Travel Speed (Forward or Reverse)		
216B/226B Series 3	12.7 km/h	7.9 mph
236B Series 3	12.1 km/h	7.5 mph
242B Series 3	12.4 km/h	7.7 mph
252B Series 3	11.9 km/h	7.4 mph
Travel Speed (Forward or Reverse) – 2 Speed Option		
236B Series 3	18.1 km/h	11.2 mph
242B Series 3	18.4 km/h	11.4 mph
252B Series 3	17.8 km/h	11.1 mph

<b>Service Refill Capacities</b>		
Chain Box, each side		
216B/226B/242B Series 3	6 L	1.6 gal
236B Series 3	7 L	1.8 gal
252B Series 3	8 L	2.1 gal
Cooling System	10 L	2.6 gal
Engine Crankcase		
216B/226B Series 3	10 L	2.6 gal
236B/242B/252B Series 3	9 L	2.4 gal
Fuel Tank		
216B/226B/242B Series 3	58 L	15.4 gal
236B/252B Series 3	90 L	23.8 gal
Hydraulic System		
216B/226B/242B Series 3	55 L	14.5 gal
236B Series 3	52 L	13.7 gal
252B Series 3	53 L	14 gal
Hydraulic Tank	35 L	9.2 gal

# B-Series 3 Skid Steer Loaders Specifications

## Dimensions



	216B/226B Series 3		236B Series 3	
	mm	in	mm	in
1 Wheelbase	986	39	1134	45
2 Length without Bucket	2519	99	2800	110
3 Length with Bucket on Ground	3233	127	3515	138
4 Height to Top of Cab	1950	77	2092	82
5 Maximum Overall Height	3709	146	3965	156
6 Bucket Pin Height at Maximum Lift	2854	112	3099	122
7 Bucket Pin Height at Carry Position	200	8	215	8.4
8 Reach at Maximum Lift and Dump	505	20	541	21
9 Clearance at Maximum Lift and Dump	2169	85.4	2398	94
10 Ground Clearance	195	8	235	9.3
11 Departure Angle	26°		28°	
12 Bumper Overhang Behind Rear Axle	967	38	1038	41
13 Maximum Dump Angle	40°		40°	
14 Vehicle Width over Tires	1525	60	1676	66
15 Turning Radius from Center - Machine Rear	1502	59	1623	64
16 Turning Radius from Center - Coupler	1195	47	1318	52
17 Turning Radius from Center - Bucket	1944	77	2092	82
18 Maximum Reach with Arms Parallel to Ground	1291	51	1353	53
19 Rack Back Angle at Maximum Height	81°		83°	