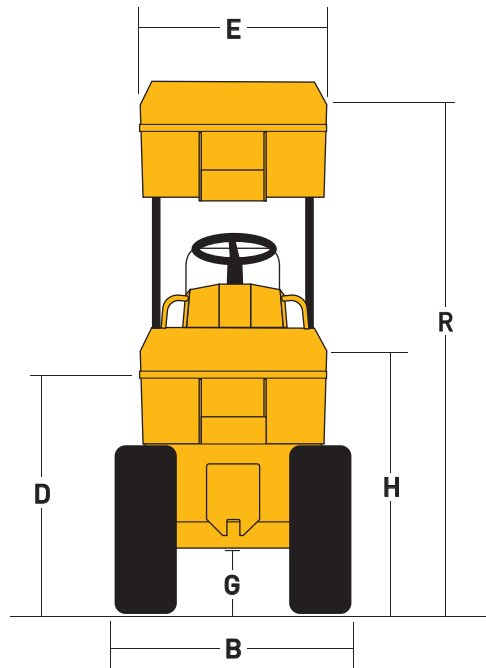
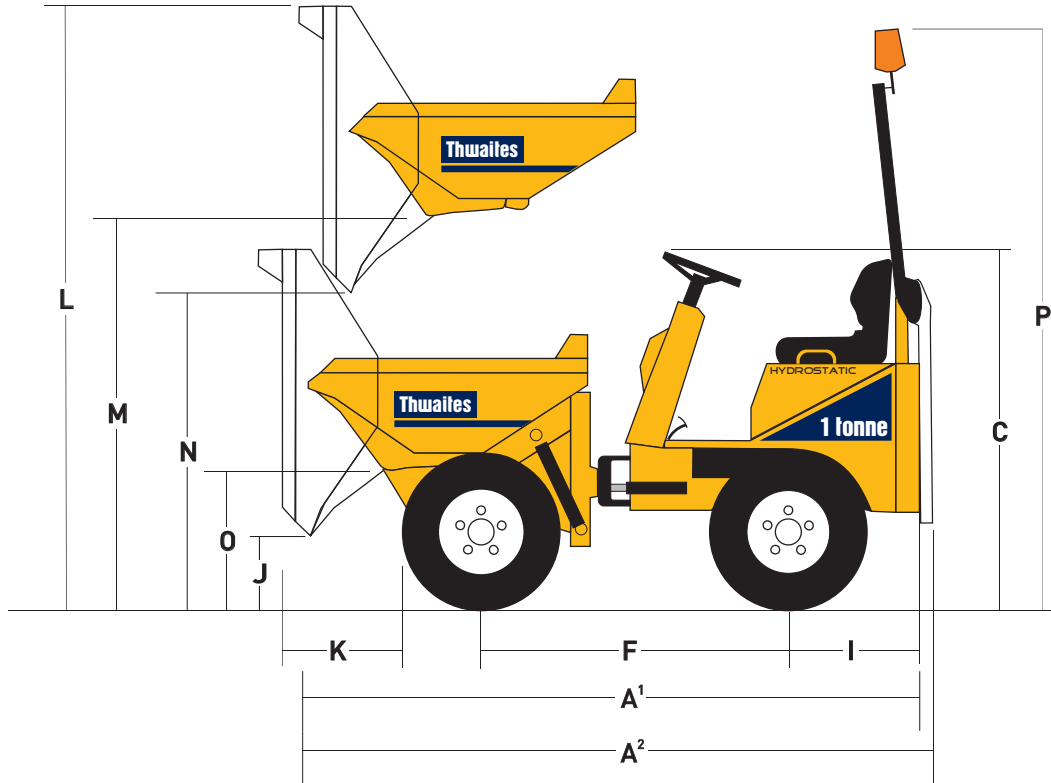


► SPECIFICATIONS

# Alldrive 1 Tonne Hi-Tip

HYDROSTATIC



**Dimensions (mm)**

|                |             |
|----------------|-------------|
| A <sup>1</sup> | 3032        |
| A <sup>2</sup> | 3192        |
| B              | 1115 (982*) |
| C              | 1773        |
| D              | 1155        |
| E              | 982         |
| F              | 1500        |
| G              | 274         |
| H              | 1262        |
| I              | 654         |
| J              | 346         |
| K              | 505         |
| L              | 3005        |
| M              | 1913        |
| N              | 1573        |
| O              | 720         |
| P              | 2860        |
| R              | 2370        |

\*with optional narrow wheels

## ► SPECIFICATIONS

# Alldrive 1 Tonne Hi-Tip

## HYDROSTATIC

|                   |                |            |
|-------------------|----------------|------------|
| <b>Capacities</b> | Max. safe load | 1000 kg    |
|                   | Heaped         | 500 litres |
|                   | Struck         | 400 litres |
|                   | Water          | 280 litres |

### Engine

Yanmar 3TNV76, 15.9 kW/21.4 bhp (nett) @ 2800 rpm, three-cylinder water-cooled diesel. Max torque 66.4 Nm (49 lb f ft). Electric starting, hour meter, battery isolator switch and heavy-duty cyclonic air cleaner positioned within the lockable engine compartment.

### Noise Levels

Operator's ear 84 LpA, airborne sound power level 101 LwA (to 2000/14/EC).

|               |                  |           |
|---------------|------------------|-----------|
| <b>Speeds</b> | Forward/reverse: | 0-12 km/h |
|---------------|------------------|-----------|

|              |                  |                  |
|--------------|------------------|------------------|
| <b>Tyres</b> | <b>Standard</b>  | <b>Optional</b>  |
|              | 10.0/75 x 15.3   | 7.00 x 12        |
|              | 8 ply            | 6 Ply            |
|              | Track grip tread | Track grip tread |

### Brakes

Automatic failsafe braking system incorporated into rear drive motors.

### Chassis

Front and rear chassis constructed from folded steel plate, with centre-point articulation and oscillation for optimum stability and traction.

### Drive System

Hydrostatic with variable displacement pump feeding four wheel motors, incorporating "Twin-Lock" system to maximise traction.

### Skip

Hydraulically operated, 3 mm base, 4 mm sides steel plate. Mouth reinforced with box sections giving greater strength to minimise damage, no material traps. Raise and tip control operated by twin control levers.

### Seating & Controls

Column-mounted forward/reverse lever with foot pedal speed control. Adjustable suspension seat, accessible from both sides. Audible warning device at key start 'on' position. Super-bright warning lights for all critical functions. Electric horn.

### Service Access

Lockable three-sided cover provides easy access from ground level to engine service points.

### Electrics

Wiring harness contained within conduits and all electrical components water resistant to IP65/67 standards.

### Steering & Hydraulics

Hydraulic power steering. Return line filtration for all services and large capacity suction strainer in the tank to give full circuit protection. Hydraulic test point fitted as standard.

|                        |           |           |
|------------------------|-----------|-----------|
| <b>Tank Capacities</b> | Fuel      | 21 litres |
|                        | Hydraulic | 20 litres |

|                      |                                       |
|----------------------|---------------------------------------|
| <b>Shipping Cube</b> | 6.3 m <sup>3</sup> (with folded ROPS) |
|----------------------|---------------------------------------|

|                       |         |
|-----------------------|---------|
| <b>Unladen Weight</b> | 1295 kg |
|-----------------------|---------|

|                           |        |
|---------------------------|--------|
| <b>Clearance Diameter</b> | 5.45 m |
|---------------------------|--------|

### ROPS/Beacon

A folding ROPS bar and beacon are fitted as standard.

### Optional Extras

Full road lighting equipment. Reverse alarm. UK road equipment. Towing bracket. Grassland/sand tyres and narrow tyres.

# Thwaites

Thwaites Ltd. Leamington Spa, Warwickshire CV32 7NQ, England  
Tel +44 (0)1926 422471 Fax +44 (0)1926 337155  
www.thwaitesdumpers.co.uk

Distributor



We reserve the right to change all specifications without prior notice.  
Printed in England 03/05