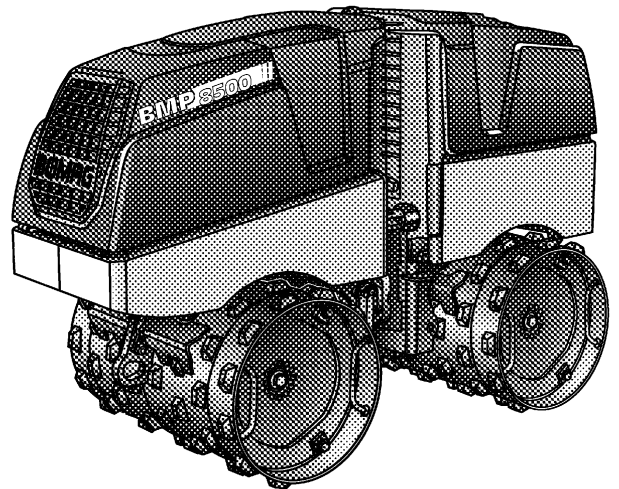


**MULTI PURPOSE COMPACTOR
BMP 8500**

PERFORMANCE DATA



| Machine type | Compaction output (m ³ /h) at recommended soil layer thicknesses | | |
|--------------|---|------------|------------|
| | Gravel, sand | Mixed soil | Silt, clay |
| BMP 8500 | 52-82 | 52-82 | 30-40 |

Technical Data

Shipping dimensions in m3

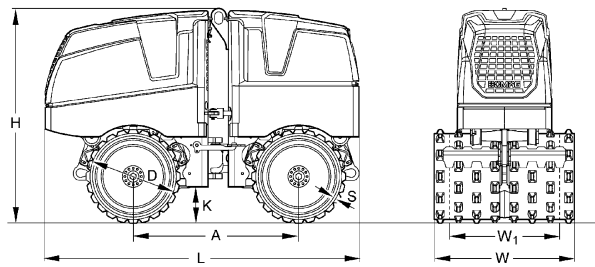
BMP 8500 2,056

Standard Equipment

- ECOMODE
- Hydrostatic articulated steering, maintenance free
- Combination remote control cable/radio
- Dual directed-vibration system
- Two travel speed ranges
- 2 amplitudes
- Intelligent Vibration Control (IVC)
- Electric starter
- Hydrost. service brake
- Hydro-mechanical parking brake
- Back-up drive protection
- 2 scrapers per drum
- Battery disconnect switch
- Automatic shutdown at low oil level
- Automatic engine shut down at a lateral tipping angle of 45°
- Full prot. hoods made of impact resistant compound material
- Single point lifting device
- Lockable engine cover and dash board
- Easy Service Concept
 - Diagnostic module with fault code display
 - Hour meter
 - foldable full protection hood
- 3-2-1 Warranty

Optional Equipment

- Drum extensions (610/850mm)(+48kg)
- Environmentally compliant hydraulic oil
- Special painting
- Mobile quick charger
- Scrapers 850mm
- Service Kit



Dimensions in mm

| | A | D | H | K | L | S | W | W1 |
|-----------------|------|-----|------|-----|------|----|-----|-----|
| BMP 8500 | 1000 | 520 | 1275 | 222 | 1897 | 25 | 850 | 610 |

Technical Data

Weights

| | | |
|------------------------------|----|-------|
| Operating weight CECE | kg | 1.595 |
| Basic weight | kg | 1.585 |
| Average axle load CECE | kg | 775 |

Dimensions

| | | |
|---------------------------|----|-----|
| Basic working width | mm | 850 |
|---------------------------|----|-----|

Driving Characteristics

| | | |
|---|------|-------|
| Speed (1), forward | km/h | 1,3 |
| Speed (1), reverse | km/h | 1,3 |
| Speed (2), forward | km/h | 2,5 |
| Speed (2), reverse | km/h | 2,5 |
| Max. gradeability without/with vibr. | % | 55/45 |

Drive

| | | |
|----------------------------|-------|--------------|
| Engine manufacturer | | Kubota |
| Type | | D 1005 |
| Cooling | | water |
| Number of cylinders | | 3 |
| Performance ISO 9249 | kW | 14,5 |
| Speed | min-1 | 2.600 |
| Fuel | | diesel |
| Drive system | | hydrost. |
| Driven drum | | front + rear |

Brakes

| | | |
|---------------------|--|-----------|
| Service brake | | hydrost. |
| Parking brake | | hydromec. |

Exciter system

| | | |
|-------------------------|----|--------------|
| Vibrating drum | | front + rear |
| Drive system | | hydraulic |
| Frequency | Hz | 42 |
| Amplitude | mm | 1,12/0,56 |
| Centrifugal force | kN | 72/36 |

Capacities

| | | |
|------------|---|------|
| Fuel | l | 24,0 |
|------------|---|------|

Technical modifications reserved. Machines may be shown with options.

